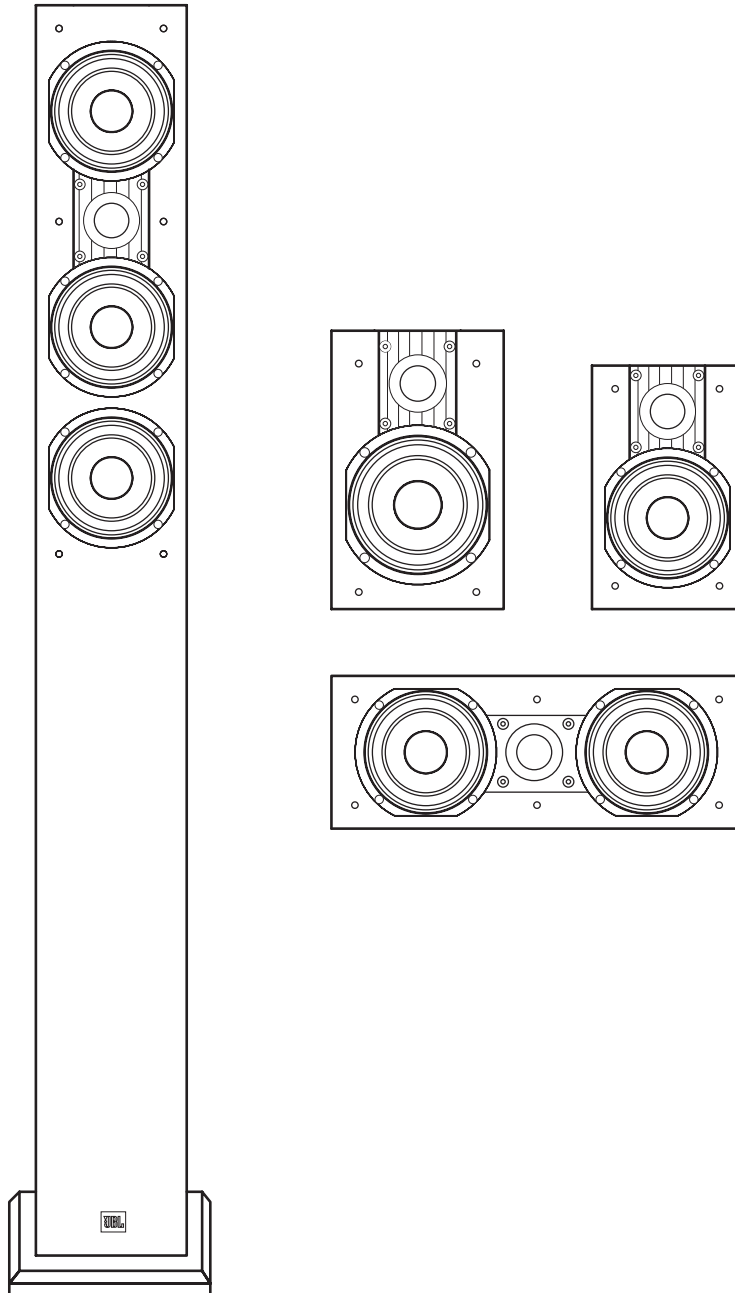




JBL[®] LOFT SERIES

loudspeakers



OWNER'S MANUAL

THANK YOU FOR CHOOSING THIS JBL® PRODUCT

For more than 60 years, JBL® engineers have been involved in every aspect of music and film recording and reproduction, from live performances to the recordings you play on the go and in your home, car or office.

We're confident that the JBL system you have chosen will provide every note of enjoyment you expect – and that when you think about purchasing additional audio equipment for your home, car or office, you will once again choose JBL products.

Please take a moment to register your new product on our Web site, www.jbl.com. Registering enables us to keep you posted on our latest advancements and helps us to understand our customers and build products that meet their needs.

INCLUDED ITEMS

LOFT50

- Two (2) LOFT50 speakers
- Two (2) speaker bases
- Eight (8) speaker base attachment screws
- Two (2) cards with adhesive feet

LOFT40

- Two (2) LOFT40 speakers
- Two (2) cards with adhesive feet

LOFT30

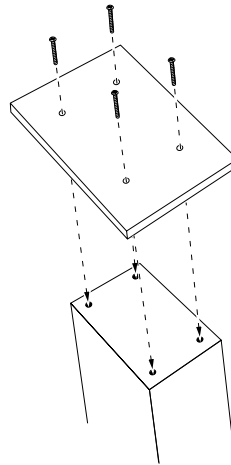
- Two (2) LOFT30 speakers
- Two (2) cards with adhesive feet

LOFT20

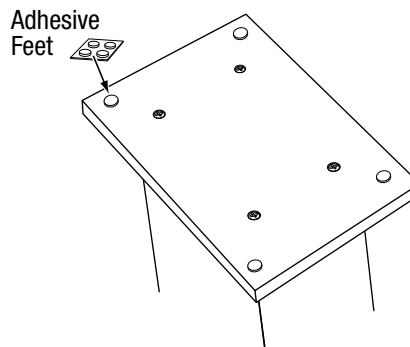
- One (1) LOFT20 speaker
- One (1) card with adhesive feet

ATTACHING THE BASES (LOFT50 ONLY)

1. Gently turn the speakers upside-down on a soft, non-abrasive surface.
2. Use the supplied screws to attach the bases to the bottoms of the speakers. Install the bases with the arrow on the label facing forward.

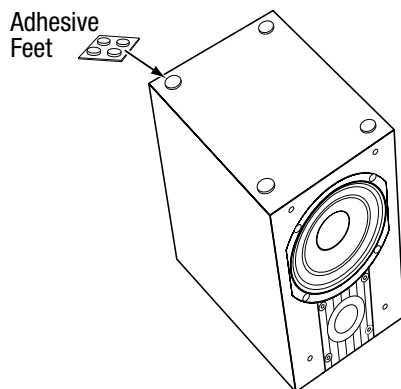


3. Peel the adhesive feet from the bottoms of the supplied cards and apply them to the bottoms of the speaker bases.



ATTACHING THE FEET (LOFT 40/LOFT30/LOFT20)

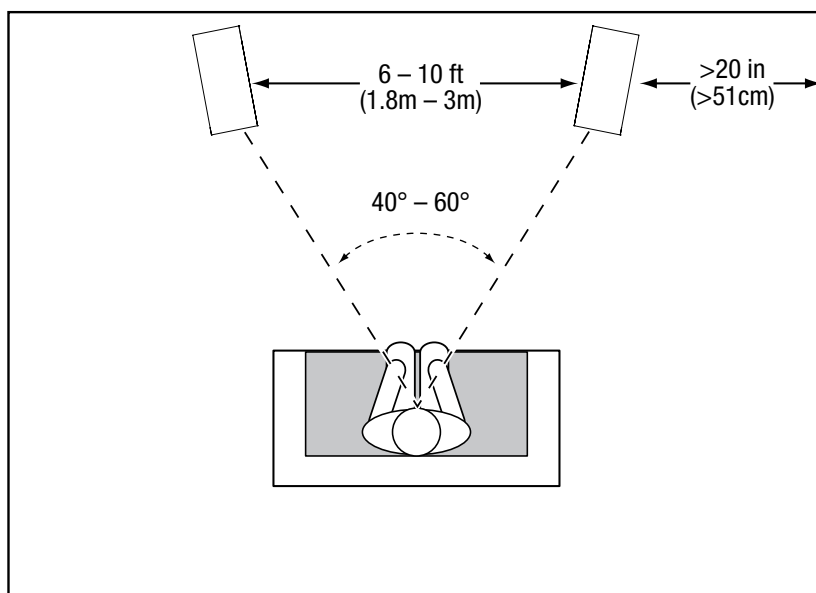
Peel the adhesive feet from the supplied card(s) and apply them to the bottoms of the speakers.



PLACEMENT

LOFT50/LOFT40/LOFT30 – LEFT AND RIGHT CHANNELS

For the best results, place the speakers 6 – 10 feet (1.8m – 3m) apart. Angling the speakers toward the listening position can improve the stereo imaging. The speakers will produce the most accurate stereo soundstage when the angle between the listener and the speakers is between 40 and 60 degrees.



Generally, bass output will increase as the speaker is moved closer to a wall or corner.

For the best performance, we recommend that you place the speakers at least 5" (130mm) away from the wall behind it to allow proper operation of the rear-panel mounted bass reflex port, and at least 20 inches (51cm) away from the side walls.

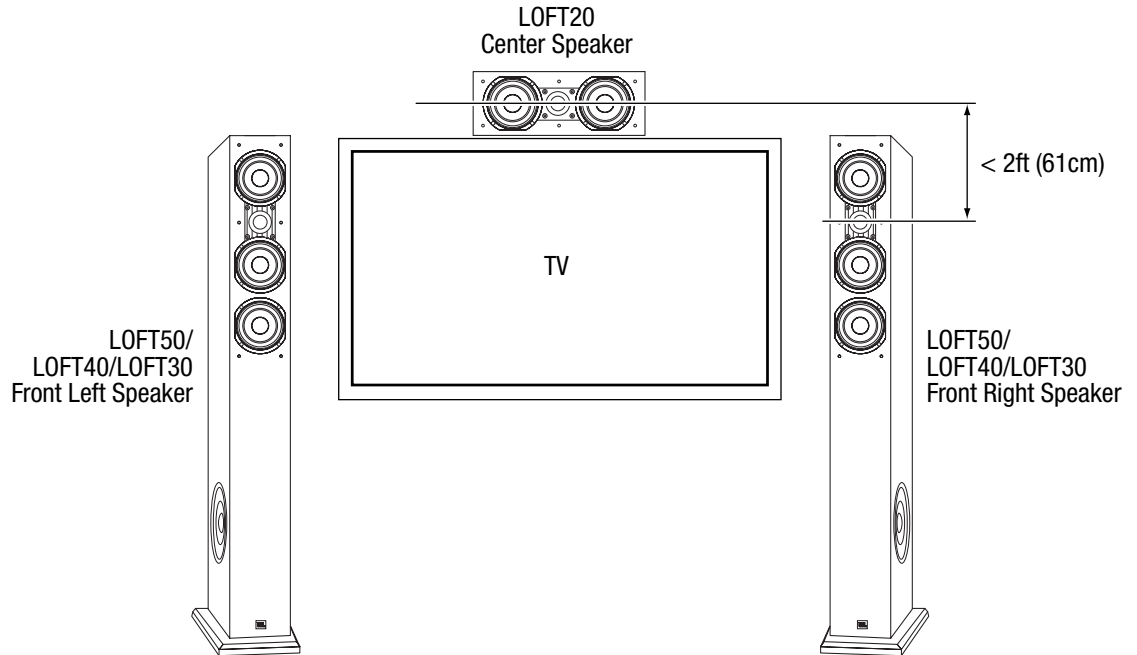
- Position LOFT40 and LOFT30 bookshelf speakers so that their tweeters are approximately at ear level.

NOTE: LOFT50, LOFT40 and LOFT30 speakers are not magnetically shielded, and can cause picture distortion or discoloration if they are placed too close to a CRT TV. If picture distortion/discoloration occurs, move the speakers away from the TV until the distortion/discoloration disappears.

LOFT20

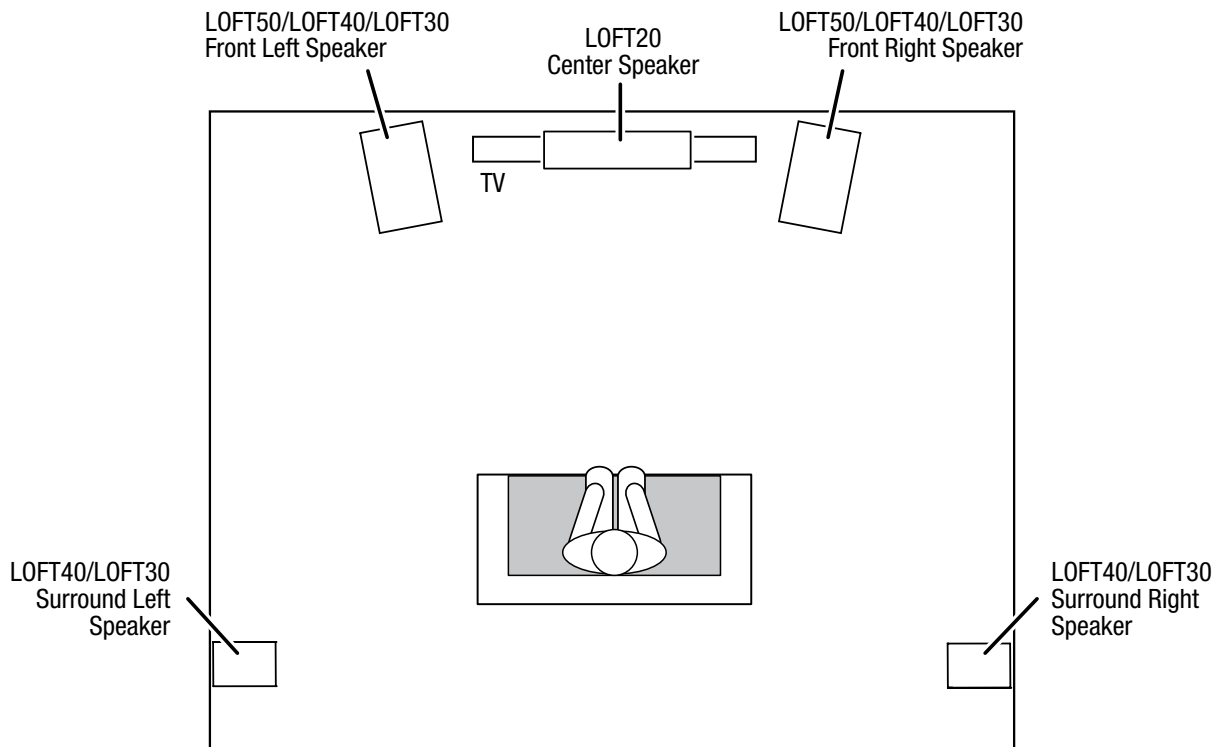
You should place the LOFT20 center speaker directly above or below the center of your TV screen. The speaker's tweeter should be no more than 2 feet (61 cm) above or below the tweeters of the front left and front right speakers. If your TV set is deep enough, you can set the center speaker on top of the TV, with the speaker's front edge even with the TV's front edge.

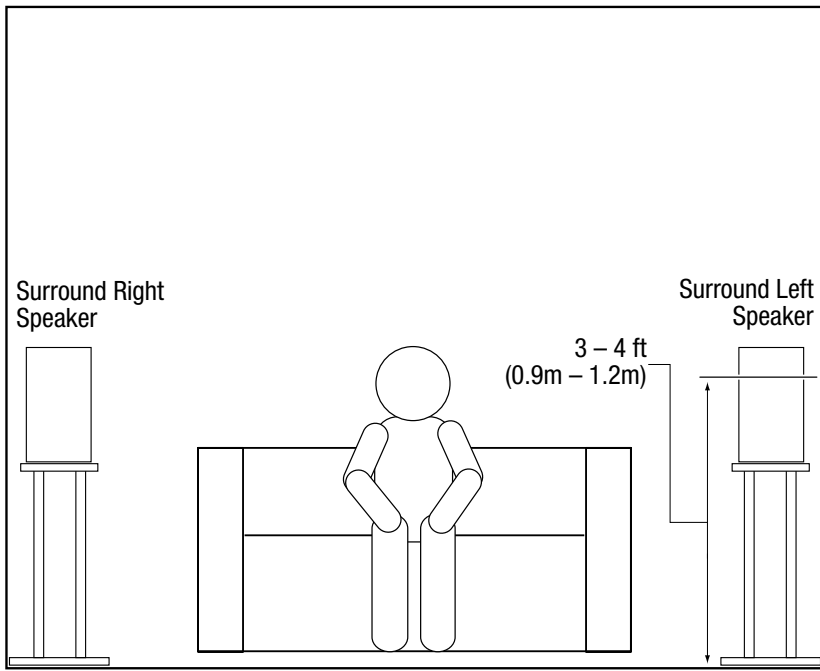
NOTE: The LOFT20 is magnetically shielded, so you can place it next to a CRT TV without causing picture distortion/discoloration.



LOFT40/LOFT30 – SURROUND CHANNELS (5.1-CHANNEL SYSTEM)

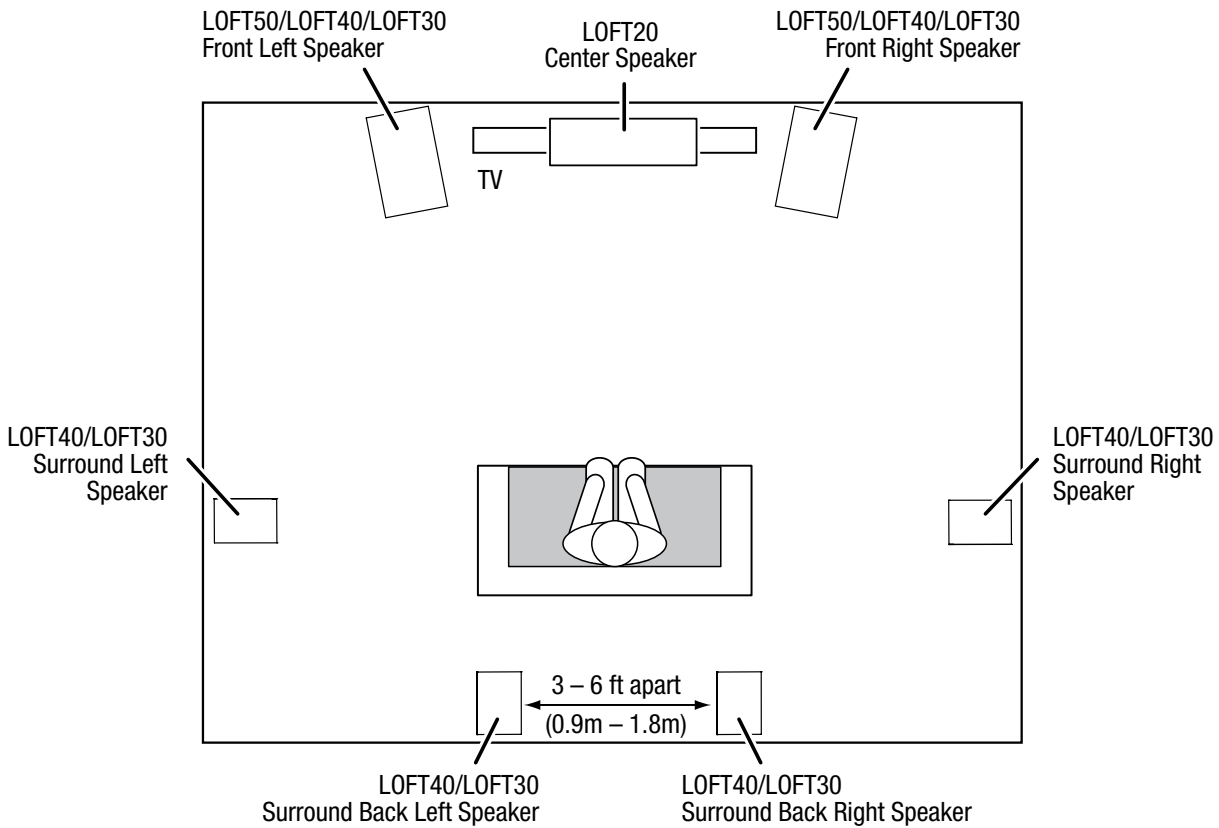
When you use LOFT40 or LOFT30 speakers as surround-channel speakers in a 5.1-channel system, place them slightly behind the listening position, facing each other. Ideally, they should be 3 – 4 feet (0.9m – 1.2m) above the floor. An alternate location would be on a wall behind the listening position, facing forward. The surround speakers should not call attention to themselves while they're playing. Experiment with their placement until you hear a diffuse, ambient sound accompanying the sounds that you hear from the front left, front right and center speakers.





LOFT40/LOFT30 – SURROUND CHANNELS (7.1-CHANNEL SYSTEM)

When you use LOFT40 or LOFT30 speakers as surround-channel speakers in a 7.1-channel system, place the surround side speakers directly to the sides of the listening position, at least 3 – 4 feet (0.9m – 1.2m) above the floor. Place the surround back speakers on the wall behind the listening position, also at least 3 – 4 feet (0.9m – 1.2m) above the floor and 3 – 6 feet (0.9m – 1.8m) apart.



CONNECTIONS

CAUTION: Make sure that all of the system's electrical components are turned OFF (and preferably unplugged from their AC outlets) before making any connections.

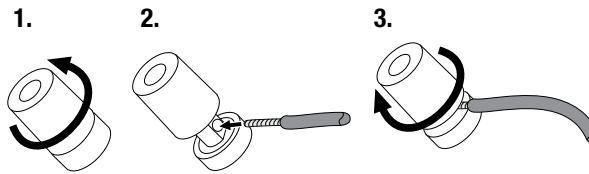
Speakers and amplifiers have corresponding positive and negative (“+” and “-”) connectors. All LOFT series speakers have connectors that are marked “+” and “-” on the terminal-cup assembly. Additionally, the “+” connectors have red markings, while the “-” connectors have black markings.

To ensure proper polarity, connect each “+” connector on the back of the amplifier or receiver to the respective “+” (red) connector on each speaker. Connect the “-” connectors in a similar way. Do not reverse polarities (i.e., “+” to “-” or “-” to “+”) when making connections. Doing so will cause poor stereo imaging and diminished bass performance.

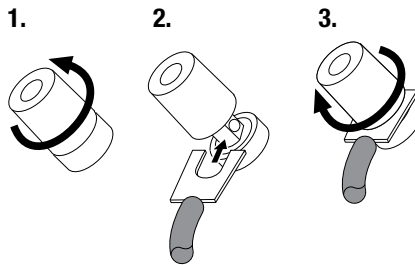
IMPORTANT: Make sure the “+” and “-” wires or connectors do not touch each other or the other terminal. Touching wires can cause a short circuit that can damage your receiver or amplifier.

The LOFT series speakers' connectors can accept a variety of wire connector types: bare wire, pin connectors, spade connectors and banana connectors.

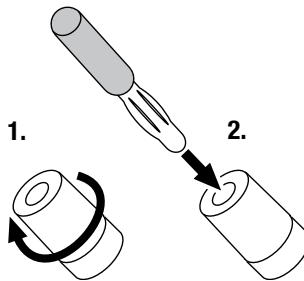
USING BARE WIRE OR PIN CONNECTORS:



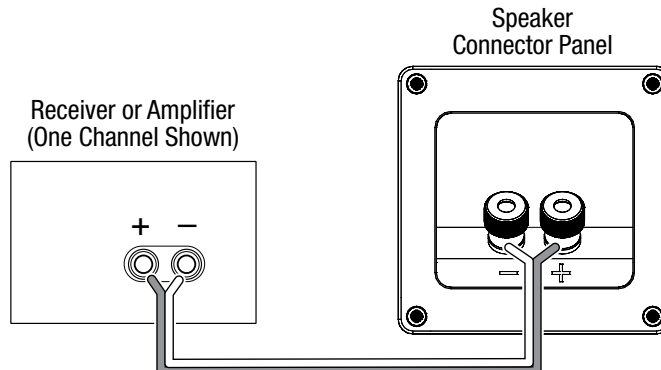
USING SPADE CONNECTORS:



USING BANANA CONNECTORS:



Connect the amplifier to each speaker as shown in the illustration below.



CARING FOR YOUR SPEAKERS

- Wipe the cabinet with a clean, dry cloth to remove dust. A damp cloth may dull the cabinet's finish. Do not use volatile liquids such as benzene, paint thinner or alcohol on the cabinet.
- Do not spray insecticide near the cabinet.
- To remove dust from the grille fabric, use a vacuum cleaner set to low suction.
- Do not wash the grilles in water, as it may fade the color or make it uneven.
- If the surfaces of the woofer and midrange cones become dusty, you can carefully sweep them clean with a soft, dry calligraphy brush or paint brush. Do not use a damp cloth.

LOFT50 FLOORSTANDING SPEAKER

Speaker type:	3-way dual-woofer, floorstanding
Low-frequency transducer:	Two 6-1/2" (165mm) PolyBass cones
Midrange transducer:	Three 4" (100mm) PolyBass cones
High-frequency transducer:	1" (25mm) soft dome
Power handling:	10 – 250 watts
Frequency response:	37Hz – 20kHz
Nominal impedance:	8 ohms
Sensitivity (2.83V/1m):	91dB
Enclosure type:	Ported
Connector type:	Binding post
Dimensions (H x W x D):	42-1/2" x 7-1/8" x 11-7/8" (1078mm x 180mm x 300mm)
Weight:	27.5 lb (12.5kg) each

LOFT40 BOOKSHELF SPEAKER

Speaker type:	2-way bookshelf
Low-frequency transducer:	5-1/4" (130mm) PolyBass cone
High-frequency transducer:	1" (25mm) soft dome
Power handling:	10 – 125 watts
Frequency response:	55Hz – 20kHz
Nominal impedance:	8 ohms
Sensitivity (2.83V/1m):	90dB
Enclosure type:	Ported
Connector type:	Binding post
Dimensions (H x W x D):	10" x 6-1/2" x 7-1/2" (252mm x 156mm x 191mm)
Weight:	5.3 lb (2.4kg) each

LOFT30 BOOKSHELF SPEAKER

Speaker type:	2-way bookshelf
Low-frequency transducer:	4" (100mm) PolyBass cone
High-frequency transducer:	1" (25mm) soft dome
Power handling:	10 – 100 watts
Frequency response:	70Hz – 20kHz
Nominal impedance:	8 ohms
Sensitivity (2.83V/1m):	89dB
Enclosure type:	Ported
Connector type:	Binding post
Dimensions (H x W x D):	8-1/4" x 5-1/8" x 7" (210mm x 130mm x 175mm)
Weight:	4.3 lb (1.9kg) each

LOFT20 CENTER-CHANNEL SPEAKER

Speaker type:	2-way dual-woofer, center-channel
Low-frequency transducer:	Two 4" (100mm) PolyBass cones, magnetically shielded
High-frequency transducer:	1" (25mm) soft dome, magnetically shielded
Power handling:	10 – 150 watts
Frequency response:	60Hz – 20kHz
Nominal impedance:	8 ohms
Sensitivity (2.83V/1m):	89dB
Connector type:	Binding post
Dimensions (H x W x D):	5-1/8" x 15-3/4" x 7" (130mm x 400mm x 175mm)
Weight:	8 lb (3.6kg) each



HARMAN HARMAN International Industries, Incorporated
8500 Balboa Boulevard, Northridge, CA 91329 USA

www.jbl.com

© 2012 HARMAN International Industries, Incorporated. All rights reserved.

JBL is a trademark of HARMAN International Industries, Incorporated,
registered in the United States and/or other countries.

Features, specifications and appearance are subject to change without notice.

Part No. 950-0456-001 Rev. A